

**Weatherproof  
SMD Batten**  
For ceilings & walls



**Features**

- Impact resistant polycarbonate body and diffuser
- Slide switch function for colour temperature change
- High efficiency SMD chips
- Constant current driver
- Large terminals for easy installation
- Operating temp: -20°C to 45°C
- IP65 weatherproof & IK08 impact resistant

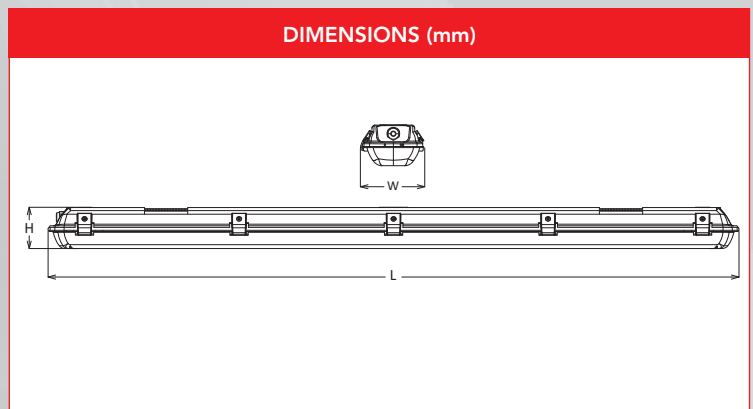
**Includes**

- IP65 Batten with LED driver
- Stainless steel clips

**Installation Options**

- Surface mounted
- Suspended (suspension kit is required)

<b>CERTIFICATION</b>	<b>IP RATING</b>	<b>DIMMABLE</b>
<b>COLOUR CHANGE</b>	<b>IK RATING</b>	<b>BOX   CTN QTY</b>
	 5kg @ 100mm	<b>1   8</b>



Part No.	Voltage	Watt	PF	CCT	Ra	Lumens	Beam Angle	Lifetime hrs	Fitting Colour	Dimensions (H x W x L)mm
TSWPB40WTRI	100-265V	40W	0.9	3000K, 4000K, 5700K	80	3400-4000-3900	120°	50,000	Grey	75 x 116 x 1215
TSWPB40WTRIEM	100-265V	40W	0.9	3000K, 4000K, 5700K	80	3400-4000-3900	120°	50,000	Grey	75 x 116 x 1215